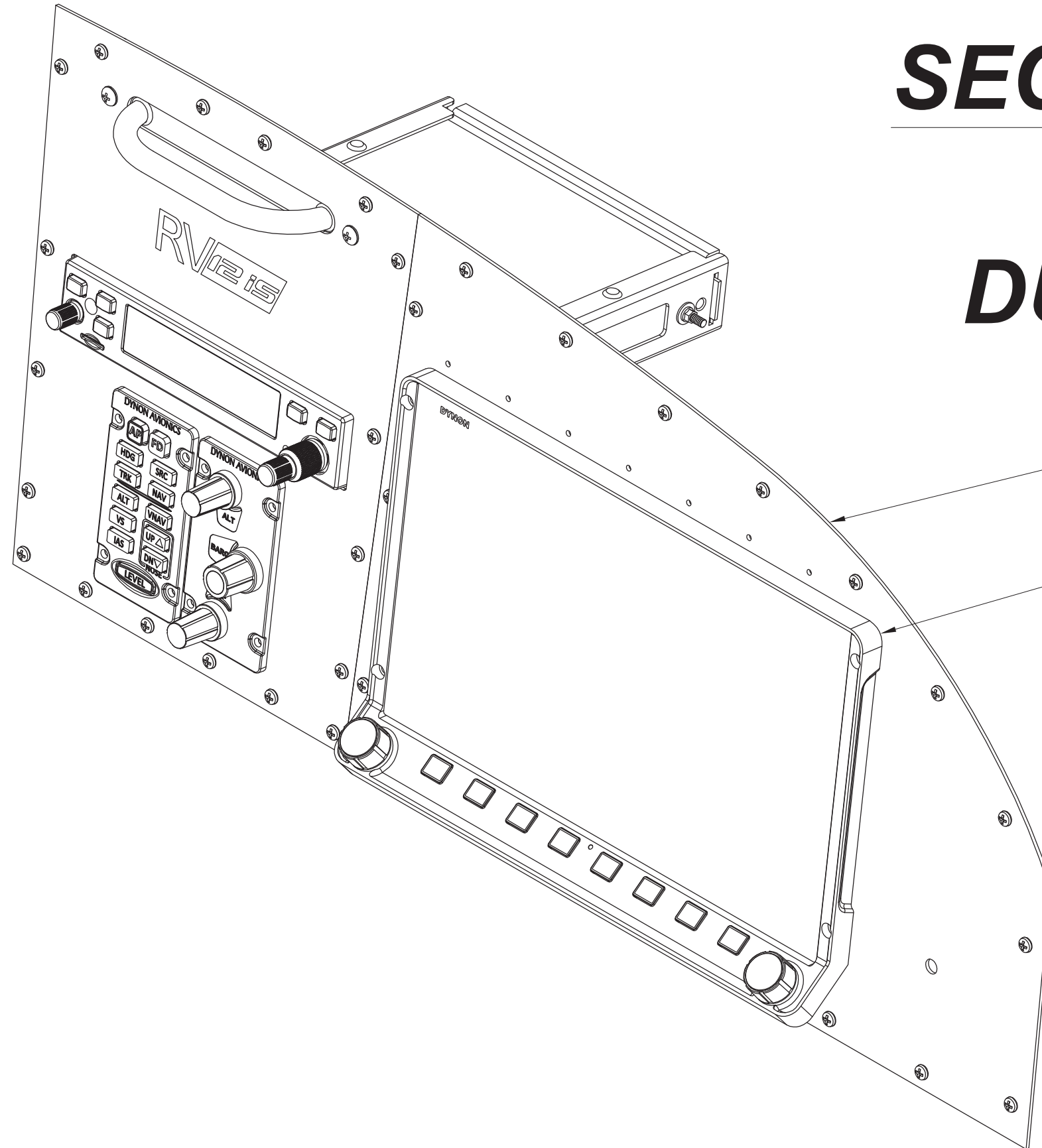


SECTION 43BiS/U:

SKYVIEW

DUAL SCREEN



F-00024-1
DUAL HDX1100 INST PANEL RIGHT

SV-HDX1100
DISPLAY



NOTE: An optional powder coated and screen printed instrument panel kit is available for RV-12iS dual-screen Dynon HDX systems. Order the "12 SV PANEL PKG.DUAL-IS-PC" kit.

Step 1: Remove the hatched areas of the F-00029-R SkyView Dual Screen Reinforcement Angle as shown in Figure 1.

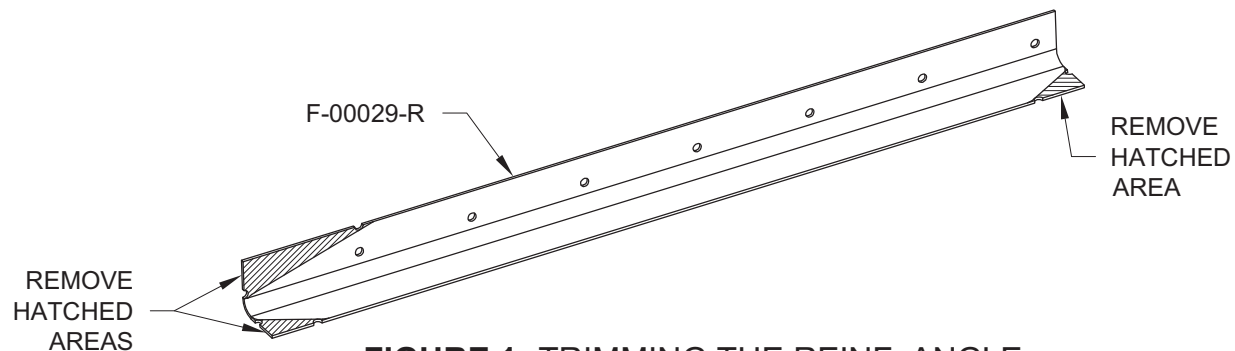


FIGURE 1: TRIMMING THE REINF. ANGLE

Step 2: Refer to Section 42CiS for attaching the nutplates and reinforcing angle shown in Figure 2.

Step 3: Install the panel per Section 42CiS, refer only to the steps that apply.

Step 4: Remove the tie-wrap installed on 42CiS/U-12. Connect the WH-00133 RV-12iS Dynon Common Harness 37-pin d-sub, 9-pin d-sub, and network cable all labeled "MFD" to the SV-HDX1100. See Figure 2.

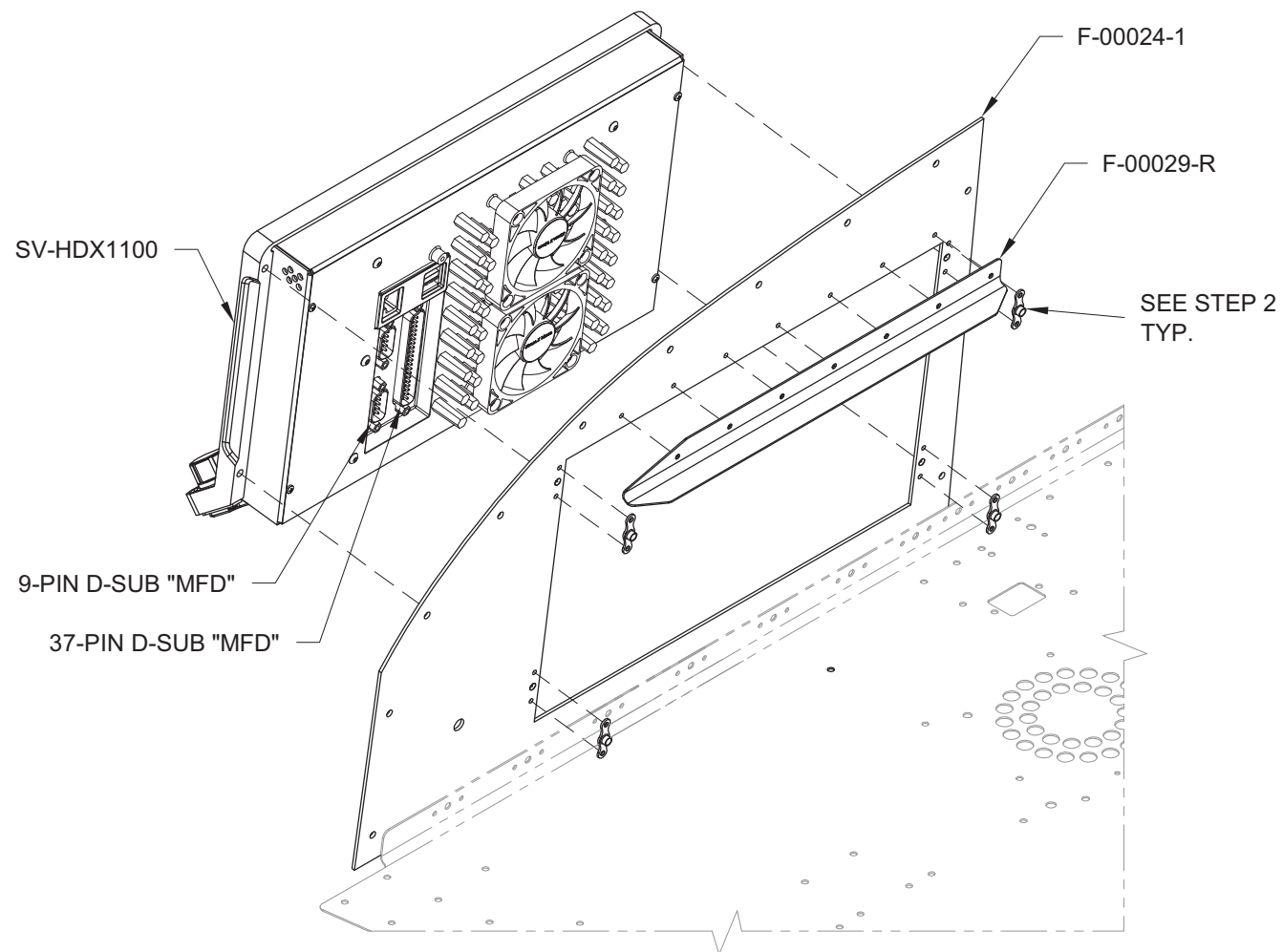


FIGURE 2: INSTALL STIFFENER AND NUTPLATES

Step 5: Install the Passenger Warning, IMC, and PTT labels per Section 51AiS/U, Placards & Certification Documents.

NOTE: For the following step first read the Read-Me file SV-PRE-SETS-READ-ME-MM-DD-YY.pdf posted on the downloads page of the Van's Aircraft web site.

Step 6: Follow the Read-Me to install the latest software and settings on both screens.

Check the setup menu to confirm that the latest firmware is installed on both screens (the firmware level is also visible during the boot sequence).

Step 7: Download the latest RV-12iS overall Electrical Schematic from the Van's Aircraft web site.

NOTE: Any weight and balance information recorded for the aircraft must be updated. Depending on the state of your kit some steps may not be applicable.

Step 8: In the RV-12iS Maintenance Manual (MM) "INSTALLED EQUIPMENT LIST" table, add "DUAL SKYVIEW DISPLAY" to the "ITEM" column. On the same line add a checkmark to the "INSTALLED" column.

Enter 2.63 lb for "Weight", 57.67 in for "Location/Arm" and 151.67 in-lb for "Moment" onto the same line as "DUAL SKYVIEW DISPLAY".

NOTE: Steps 9-11 on this page are only applicable if a final weight and balance as specified in the PAP has been completed.

Step 9: In the RV-12iS Pilot Operating Handbook (POH) "YOUR AIRPLANE" table, enter the new total values for the arm, weight, and moment of the installed equipment.

Step 10: In the RV-12iS POH "YOUR AIRPLANE" table, recalculate and enter new values for the Empty Weight, Empty Moment, and Empty Arm.

Step 11: Make an entry, as calculated in the previous step, on the WEIGHT AND BALANCE RECORD page of the RV-12iS Maintenance Manual as follows:

As of this date: ___/___/___ the following values represent current Weight and Balance calculations resulting from the installation of the Dual Skyview Display Optional Kit.

Revised Empty Weight: _____ lbs
Revised Empty Moment: _____ in-lbs
Revised Empty Arm: _____ in

Signed: _____

NOTE: The remaining steps on this page are only applicable for aircraft which have passed a final airworthiness inspection.

Step 12 (ELSA): Make an appropriate entry in the airframe logbook. See example below:

Installed the DUAL SKYVIEW DISPLAY option in accordance with Van's Aircraft KAI Section 43BiS/U and confirmed proper operation.

Signature _____ Certificate # _____

Step 13 (SLSA): Complete the notification N 18-10-18 (available from the Van's Aircraft web site) corresponding to the DUAL SKYVIEW DISPLAY installation.

END OF SECTION